

Kivo CR/TF/FS/SL/LP

Kivo Open-Field Mounting System

Check-List

1. Company Data

Company

Name

Contact

First Name

Telephone

Fax

Contact

Last Name

Mobile

E-mail

2. Project Data

2.1. Project Location

Longitude

(if Available)

Latitude

(if Available)

Country

Area

2.3. Project's Nominal Power

Power (kWp)

2.4. Project Timetable

Start Date

Desired date of Mounting
 System delivery

3. PV module Data

3.1. Description of PV modules:

Manufacturer			Model
	Nominal Power (Wp)		
Frame type	Aluminium Frame	Frameless (Glass-Glass)	
MonoCrystalline	Length		mm
Polycrystalline	Width		mm
Thin Film	Height		mm
	Weight		kg

4. PVmodule Arrangement

4.1. PV module Layout

Portrait landscape

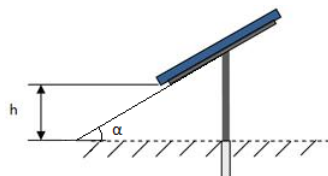
4.2. Number of Panels in Vertical direction

- Double portrait
- Triple landscape
- Quadruple landscape
- Other

4.3. Ground Clearance and Tilt

Ground Clearance, $h =$ mm

Tilt, $\alpha =$ deg



5. Mounting System Foundation Method

5.1. Foundation Method

Pile Ramming /Single Pile

Pile Ramming /Double Pile

drilling/Concrete Filling

Concrete Foundations

6. Field Characteristics

6.1. Field Slope (degrees)

North –South

East-West

6.2. Surface-Soil Data

Surface type according to DIN18300

Soil's Ph

7. Installation Works (select yes if you want to assign the works mentioned below to SolarCube)

7.1. Pile Ramming/ Drilling Works

Yes *No*

7.2. Mounting System installation

Yes *No*

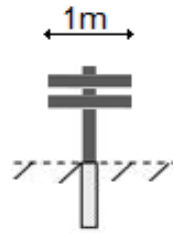
7.3. PV module mounting (not including electrical works)

Yes *No*

8. Supply of Inverter/Electrical switchboard Support Structures

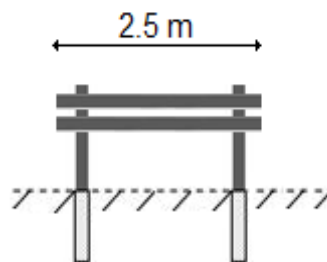
8.1. Single Pile (free standing)

Quantity



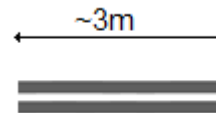
8.2. Double Pile (free standing)

Quantity



8.3. For Installation on Double Pile PV Mounting Systems

Quantity



9. Accompanying Documents

9.1. Geotechnical Study

Geotechnical Study Conducted/Available?
 Yes No

If Yes Please Sent a copy by e-mail

9.2. Pile Ramming Test Report

Pile Ramming Test Conducted?
 Yes No

If Yes Please Sent a copy by e-mail

9.3. Project/PV modules Layout

Please Sent a copy of the Autocad-file by e-mail

9.4. Photographs

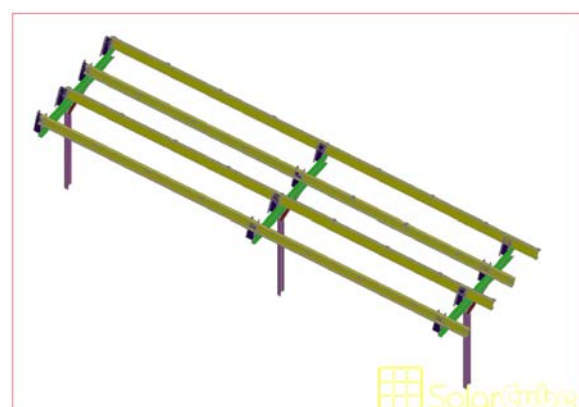
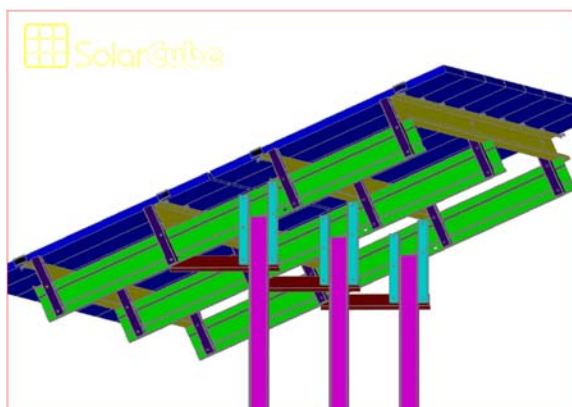
Of the Project Site

Please Sent a copy by e-mail

Of 2m deep test-excavations

Please Sent a copy by e-mail

9.4. Other Requirements



Please do not hesitate to contact Solar Cube for questions or further information regarding our products or services