

**Kivo FR – chemical anchoring**

**Kivo Flat-Roof Mounting System**

**Check List**

**1. Company Data**

---

Company Name

Contact First  
Name

Contact  
Last  
Name

Telephone

Mobile

Fax

E-mail

**2. Project Data**

---

**2.1. Project Location**

Longitude

*(if Available)*

Latitude

*(if Available)*

Country

Area

Address

**2.2. Roof Data**

Building Height

**2.3. Project Nominal Power**

Power (kWp)

**2.4. Project timeline**

Start Date

Mounting System Delivery Date

### 3. PV module Data

---

#### 3.1. Description of PV modules:

Manufacturer			Model
Nominal Power (Wp)			
Frame type	Aluminium Frame		Frameless (Glass-Glass)
MonoCrystalline	Length		mm
Polycrystalline	Width		mm
Thin film	Height		mm
	Weight		kg

### 4. PVmodule Placement

---

#### 4.1. PV module Layout

Single Portrait

Double portrait

Single Landscape

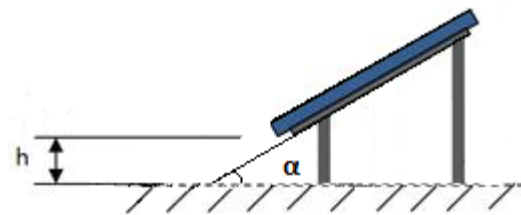
Double Landscape

Other

#### 4.2. Ground Clearance and Tilt

Ground clearance,  $h =$  mm

Tilt,  $\alpha =$  deg



## 5. Accompanying Documents

---

### 5.1. Statical Proof of the Building

Is it Available?  
Yes                      No

*If Yes Please Sent a copy by e-mail*

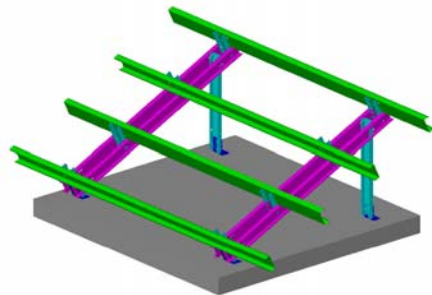
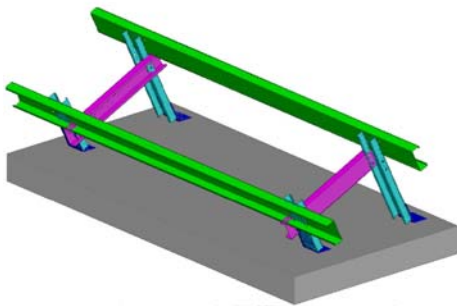
### 5.2. Roof / PV modules Layout

*Please Sent a copy of the Autocad-file by e-mail*

### 5.3. Roof Photographs

*Please Sent a copy by e-mail*

### 5.4. Other Requirements



Please do not hesitate to contact Solar Cube for questions or further information regarding our products or services